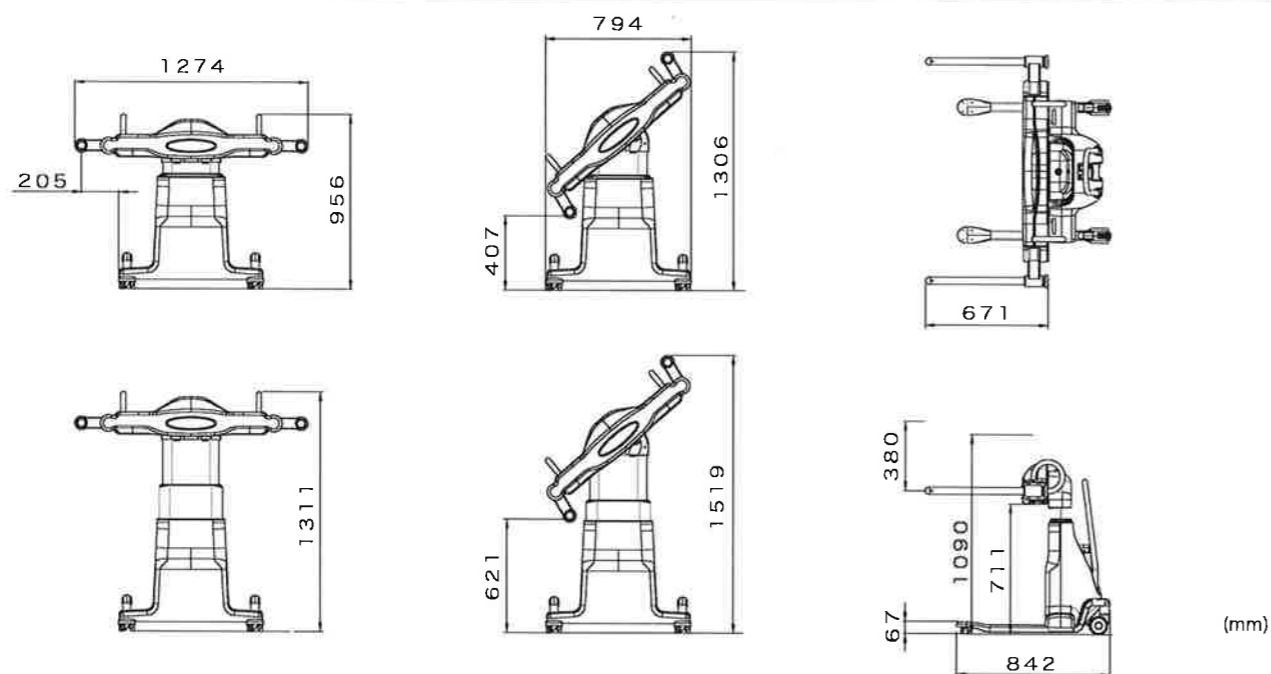




# ROBOHELPER SASUKE

Robotic Nursing Care for Transfer Aid

## Specification



### SASUKE Body Spec.

Product Name	Robotic Nursing Care ROBOHELPER SASUKE
Model No.	RS1-12Y-B2
Gross Weight (with standard battery)	70 kg
Adaptive Weight Load	under 120 kg
Adaptive Height	180 cm or shorter (140 cm or taller)
Safety Standard	ISO13482
Operating Temperature	0 - 40 °C
Operating Humidity	20 - 80 % (non-condensation)
Durable Life	5 years

### Dedicated Battery & Charger for SASUKE

Battery	Model No.	MBP-2
	Type	Lithium Ion Battery
	Capacity	25.2 V - 3.9 Ah
	Weight	0.9 kg
Charger	Durable Life	3 years (will depend on usage and care)
	Model No.	Slide Type
	Power Source	AC100 V ~ 240 V
	Charge Time	approx. 2 hours

※ Product specification may change partially according to future modifications.



T. Kikuta



Manufactured by : **M** MUSCLE CORPORATION

6F Tradepia Yodoyabashi, 2-5-8 Imabashi, Chuo-ku, Osaka, 541-0042, Japan TEL: +81-6-6229-9550 FAX: +81-6-6229-9560

Email: info@musclecorp.com URL http://www.musclecorp.com

Contact address: info@musclecorp.com

# ROBOHELPER SASUKE

Robotic Nursing Care for Transfer Aid



Just like being carried up gently in both arms, SASUKE is capable of lifting the care receiver directly off the bed from underneath the sheet, while bearing its whole weight.



Because maneuvering is possible for any posture, from recumbent to sitting positions, it can be used for wide variations of wheelchairs. Deep sitting position is attained from the first care, thus greatly reducing the stress of having to adjust correct positions after transfer.



## For All Care Receivers and Care Workers Gentle Nursing Care & Security

Robohelper SASUKE makes transfer aid to and from bed to wheelchair easy.

The next generation in robotic nursing care, Robohelper SASUKE designed by the world-renowned designer Toshiyuki Kita was created with the concept of "More attention to gentle nursing care and security for all care receivers and care workers" in mind. Integrating with our modern living styles, this new product will bring about next generation in nursing care.



Special sheet supports and evenly distributes body weight with full surface, resulting in high transfer stability. No assemblies above the head for sense of security from non-obstructed vision.



Easy transfer between bed and wheelchair, all within face-to-face distance and care worker's reach, bringing a sense of security, not only for care worker, but even for care receiver as well.



By adoption of the battery pack, the maneuvers are freely mobile and cordless.



The arms itself can be made to slide to achieve easy insertion into the specialized sheets.



With "Haptic Interface" technology, maneuvers are simple and instinctive as turning the levers towards the direction you want to move.



The gentle warmth of the light for sense of secureness and comfort.



Its arms can swing and rotate bilaterally to neatly adjust to any optimum seating posture.



The arms can also be raised and lowered to adjust to any height of various beds and wheelchairs.



Legs are capable of going underneath even the lower height beds. (95 mm clearance required for insertion under.)



Lift lock type casters that can be easily locked on and off.



Special sheet made from single seamless textile for comfort to body contact area. Secure-holder gently wraps around elbows to prevent unexpected fallouts and arm entanglements.



This single type of special sheet is compatible with wide variations of wheelchairs, including recliner type.

### ● For the care receiver :

- Body weight is evenly dispersed onto special sheet for comfort
- Stable transfer with minimum swaying
- No assembling of equipments required above the head/body for sense of security from non-obstructive peripheral vision

### ● For the care worker :

- Great reduction of stress and burden to the hip and back
- Instinctive and simple maneuvering and handling
- Stability in keeping optimum posture, from sleeping to sitting
- Compatible with wide variations of wheelchairs
- Transfer aid operable even by single person with little strength

## Making Transfer Care a Memorable Time of Communication

- Easily operable without staring at handles, and more attention towards transferring care.
- Less burden to body and mind for all, and more attention to higher quality of communication.



design by Toshiyuki Kita

Since 1969 in Japan and Milano, Kita has designed a number of best-seller products many of which are selected for permanent collections at museums world-wide including The Museum of Modern Art (New York), etc. He is also very active as creative producer in various fields of design. During 2004 - 2006, served as Chairman of Judging Committee for Japan's Good Design Award. Currently Professor at The Osaka University of Arts.

Multi-international awards include the prize "2011 carrier internazionale di Compasso d' Oro (Lifetime Achievement Award)" of Italy.